

GND-2

Combined Transceiver, Power amplifier and Linux Computer

For Satellite Ground Stations

Features

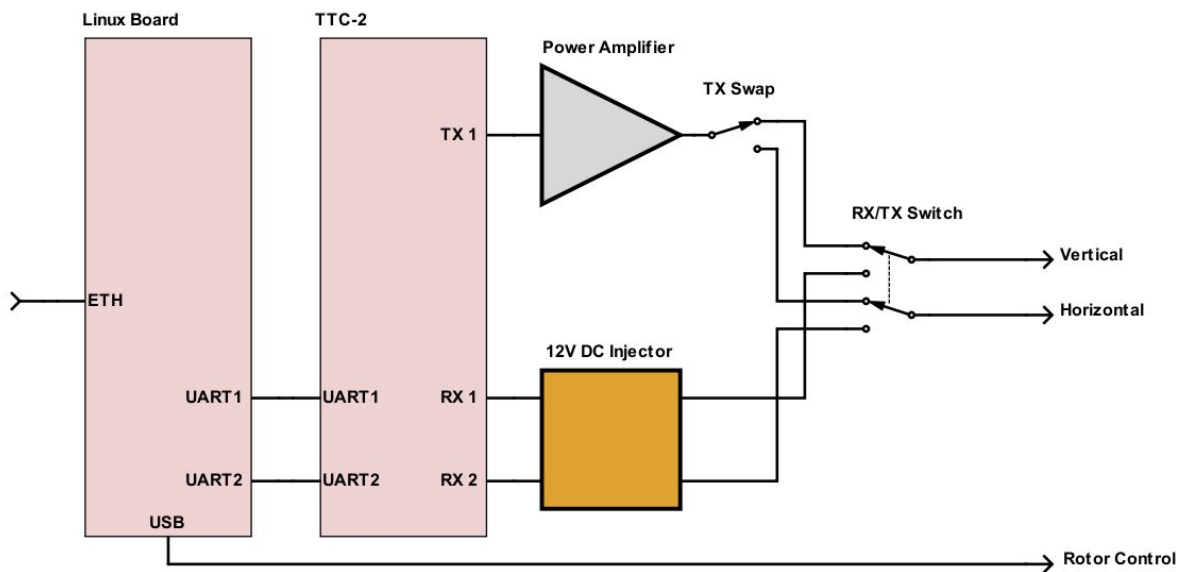
- Dual channel VHF/UHF Transceiver
 - Data-rate: 1200 - 19.200 kbps nominal. (up to 115.200 available upon request)
 - Frequency: 130-140 and/or 420-460 MHz
- Vertical / Horizontal polarization
- 200 Watt Power Amplifier for uplink
- 12V DC injection for mast mounted LNA's
- Embedded Linux computer
- Power requirement 50 VDC 30 Amps

Description

The GND-2 is designed as a ground station for the TTC-2 satellite radio.

It is a more powerful version of the TTC-2 with 200 Watt output power, designed to accommodate difficult uplink situations in noisy environment.

With the built-in Linux computer, all that is needed is power and ethernet. The computer comes with software ready for operation of the transceivers.



Functional Block Diagram